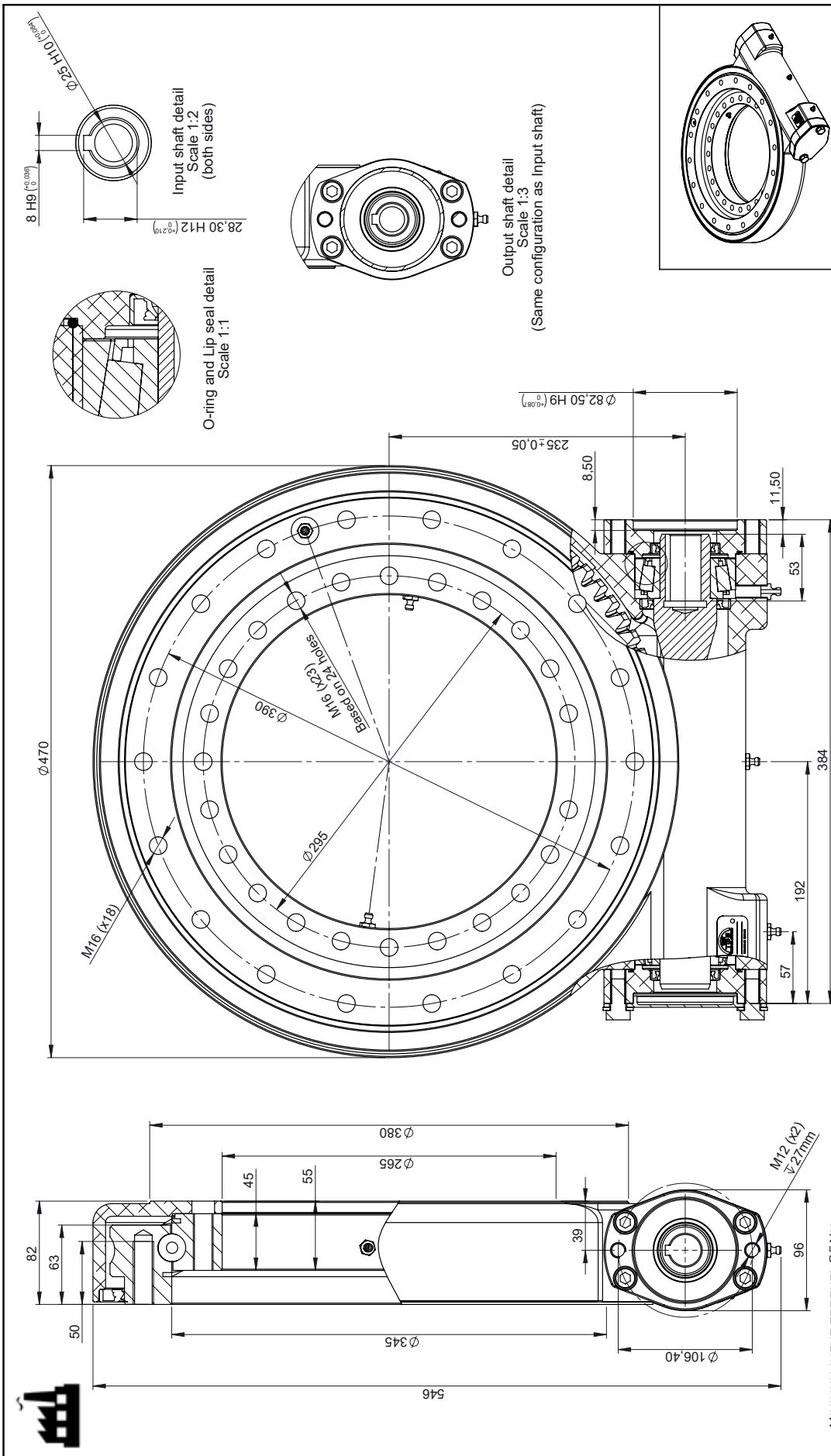


# LBE SERIES

## METRIC



**TGB GROUP**  
[info@tgbgroup.com](mailto:info@tgbgroup.com)  
[www.tgbgroup.com](http://www.tgbgroup.com)

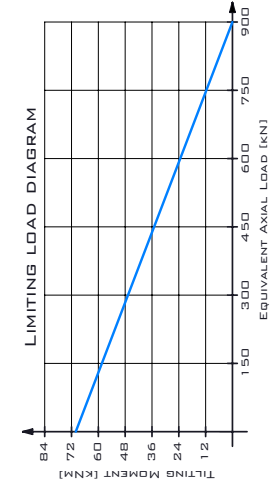
**TGB**

Reference: **LBE435-Z1**

Denomination	Sales Drawing
MATERIAL: -	WEIGHT (kg): 47.81
SCALE: 1:3	SIZE: A3
NUM. PIECES: 1	SHEET: 1 of 1

**SHAFT:  $\phi 25$ MM KEYS SHAFT**  
**FLANGE: SAE - 2BOLT FLANGE**

The information contained in this document is the property of TGB Group. It is not allowed any copy or reproduction of this certified document without the previous written consent of TGB Group. TGB Group reserves the right to modify the design and specifications of this product without previous notice and duty of communication.



**MINIMUM INPUT TORQUE: 25NM**

MAIN PERFORMANCE PARAMETERS	
GEAR RATIO	85:1
HOLDING TORQUE	33.5 kNm
EFFICIENCY	40%
TILTING MOMENT	71.1 kNm
SELF-LOCKING GEAR	YES
RADIAL STATIC LOAD	398kN
BACKLASH CLEARANCE	< 0.17°
AXIAL STATIC LOAD	905kN
MAXIMUM TORQUE	12,300Nm
RADIAL DYNAMIC LOAD	157kN
NOMINAL TORQUE	10,200Nm
AXIAL DYNAMIC LOAD	183kN

NOTES: ALL SLEW DRIVE ARE PRE-LUBRICATED. MAXIMUM OUTPUT SPEED 1 RPM.  
 STANDARD PAINT: FOR CORROSION CATEGORY C3-M - COLOR RAL 9005