

## Samostředící

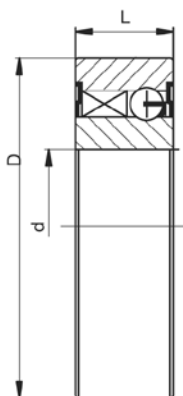
Tolerance hřídele h6

Tolerance pro dosedací plochu H6

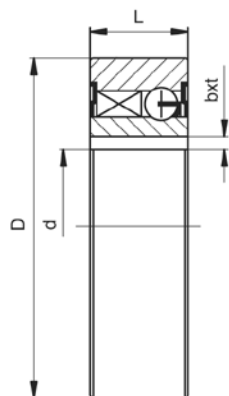
Drážka pro pero UKC 8 - 30 DIN 6885



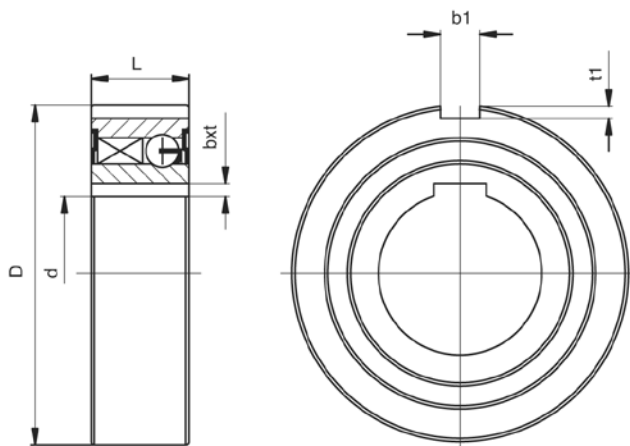
UK ... ZZ/2RS



UKC ... ZZ



UKCC ... ZZ



| Typ        | d <sup>H7</sup><br>[mm] | D <sub>r6</sub><br>[mm] | L<br>[mm] | b<br>[mm] | t<br>[mm] | b1<br>[mm] | t1<br>[mm] | n <sub>max</sub><br>[min <sup>-1</sup> ] | Typ<br>ložiska | T <sub>N</sub><br>[Nm] | Ztrátový<br>kroučící<br>moment<br>[Nm] | Zatížení [N] |        | Hmotnost<br>[kg] |
|------------|-------------------------|-------------------------|-----------|-----------|-----------|------------|------------|--|----------------|------------------------|--|--------------|--------|------------------|
|            |                         |                         |           |           |           |            |            |  |                |                        |  | Dynamic      | Static |                  |
| UK 08 ZZ   | 8                       | 22                      | 9         |           |           |            |            | 15000                                    | -              | 2,5                    | 0,005                                  | 3300         | 860    | 0,02             |
| UK 12 ZZ   | 12                      | 32                      | 10        |           |           |            |            | 10000                                    | 6201 ZZ        | 9,3                    | 0,007                                  | 6100         | 2770   | 0,04             |
| UK 15 ZZ   | 15                      | 35                      | 11        |           |           |            |            | 8400                                     | 6202 ZZ        | 16,9                   | 0,009                                  | 7400         | 3400   | 0,06             |
| UK 17 ZZ   | 17                      | 40                      | 12        |           |           |            |            | 7350                                     | 6203 ZZ        | 30,6                   | 0,011                                  | 7900         | 3800   | 0,07             |
| UK 20 ZZ   | 20                      | 47                      | 14        |           |           |            |            | 6000                                     | 6204 ZZ        | 50,0                   | 0,013                                  | 9400         | 4450   | 0,11             |
| UK 25 ZZ   | 25                      | 52                      | 15        |           |           |            |            | 5200                                     | 6205 ZZ        | 85,0                   | 0,020                                  | 10700        | 5450   | 0,14             |
| UK 30 ZZ   | 30                      | 62                      | 16        |           |           |            |            | 4200                                     | 6206 ZZ        | 138,0                  | 0,044                                  | 11700        | 6450   | 0,21             |
| UK 35 ZZ   | 35                      | 72                      | 17        |           |           |            |            | 3600                                     | 6207 ZZ        | 175,0                  | 0,058                                  | 12600        | 7250   | 0,30             |
| UK 40 ZZ   | 40                      | 80                      | 22        |           |           |            |            | 3000                                     | -              | 325,0                  | 0,070                                  | 15540        | 12250  | 0,50             |
| UKC 12 ZZ  | 12                      | 32                      | 10        | 4         | 1,3       |            |            | 10000                                    | 6201 ZZ        | 9,3                    | 0,007                                  | 6100         | 2770   | 0,04             |
| UKC 15 ZZ  | 15                      | 35                      | 11        | 5         | 1,2       |            |            | 8400                                     | 6202 ZZ        | 16,9                   | 0,009                                  | 7400         | 3400   | 0,06             |
| UKC 17 ZZ  | 17                      | 40                      | 12        | 5         | 1,2       |            |            | 7350                                     | 6203 ZZ        | 30,6                   | 0,011                                  | 7900         | 3800   | 0,07             |
| UKC 20 ZZ  | 20                      | 47                      | 14        | 6         | 1,6       |            |            | 6000                                     | 6204 ZZ        | 50,0                   | 0,013                                  | 9400         | 4450   | 0,11             |
| UKC 25 ZZ  | 25                      | 52                      | 15        | 8         | 2,0       |            |            | 5200                                     | 6205 ZZ        | 85,0                   | 0,020                                  | 10700        | 5450   | 0,14             |
| UKC 30 ZZ  | 30                      | 62                      | 16        | 8         | 2,0       |            |            | 4200                                     | 6206 ZZ        | 138,0                  | 0,044                                  | 11700        | 6450   | 0,21             |
| UKC 35 ZZ  | 35                      | 72                      | 17        | 10        | 2,4       |            |            | 3600                                     | 6207 ZZ        | 175,0                  | 0,058                                  | 12600        | 7250   | 0,30             |
| UKC 40 ZZ  | 40                      | 80                      | 22        | 12        | 3,3       |            |            | 3000                                     | -              | 325,0                  | 0,070                                  | 15540        | 12250  | 0,50             |
| UKCC 15 ZZ | 15                      | 35                      | 11        | 5         | 1,2       | 2          | 0,6        | 8400                                     | 6202 ZZ        | 16,9                   | 0,009                                  | 7400         | 3400   | 0,06             |
| UKCC 17 ZZ | 17                      | 40                      | 12        | 5         | 1,2       | 2          | 1,0        | 7350                                     | 6203 ZZ        | 30,6                   | 0,011                                  | 7900         | 3800   | 0,07             |
| UKCC 20 ZZ | 20                      | 47                      | 14        | 6         | 1,6       | 3          | 1,5        | 6000                                     | 6204 ZZ        | 50,0                   | 0,013                                  | 9400         | 4450   | 0,11             |
| UKCC 25 ZZ | 25                      | 52                      | 15        | 8         | 2,0       | 6          | 2,0        | 5200                                     | 6205 ZZ        | 85,0                   | 0,020                                  | 10700        | 5450   | 0,14             |
| UKCC 30 ZZ | 30                      | 62                      | 16        | 8         | 2,0       | 6          | 2,0        | 4200                                     | 6206 ZZ        | 138,0                  | 0,044                                  | 11700        | 6450   | 0,21             |
| UKCC 35 ZZ | 35                      | 72                      | 17        | 10        | 2,4       | 8          | 2,5        | 3600                                     | 6207 ZZ        | 175,0                  | 0,058                                  | 12600        | 7250   | 0,30             |
| UKCC 40 ZZ | 40                      | 80                      | 22        | 12        | 3,3       | 10         | 3,0        | 3000                                     | -              | 325,0                  | 0,070                                  | 15540        | 12250  | 0,50             |
| UK 17 2RS  | 17                      | 40                      | 17        |           |           |            |            | 7350                                     | -              | 30,6                   | 0,056                                  | 7900         | 3800   | 0,09             |
| UK 20 2RS  | 20                      | 47                      | 19        |           |           |            |            | 6000                                     | -              | 50,0                   | 0,060                                  | 9400         | 4450   | 0,15             |
| UK 25 2RS  | 25                      | 52                      | 20        |           |           |            |            | 5200                                     | -              | 85,0                   | 0,060                                  | 10700        | 5450   | 0,18             |
| UK 30 2RS  | 30                      | 62                      | 21        |           |           |            |            | 4200                                     | -              | 138,0                  | 0,075                                  | 11700        | 6450   | 0,27             |