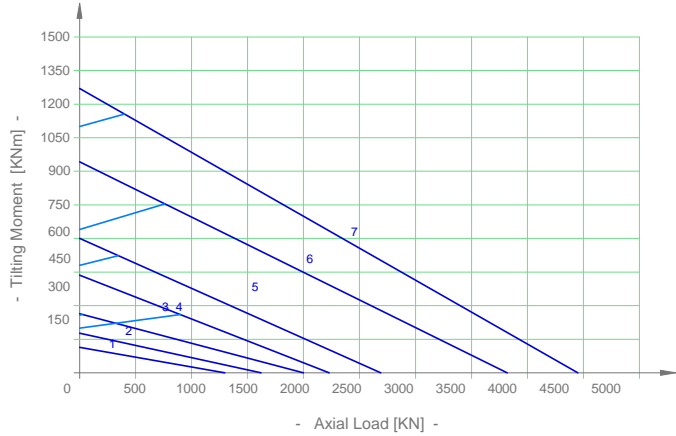
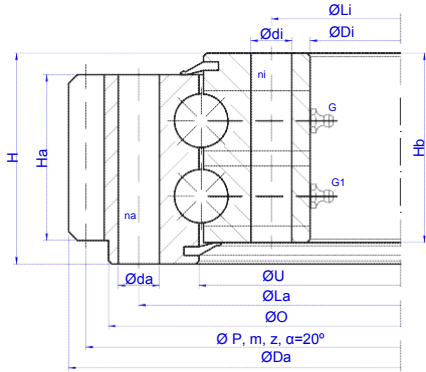


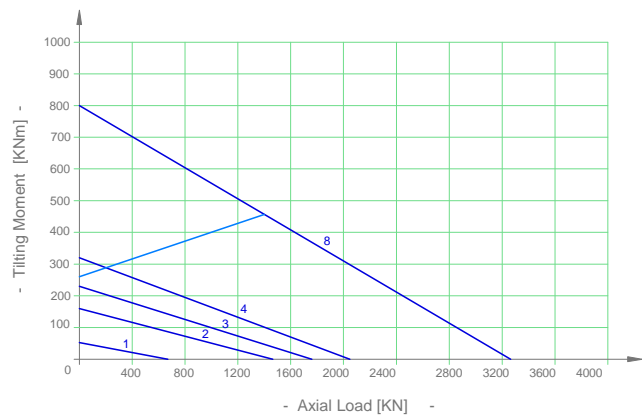
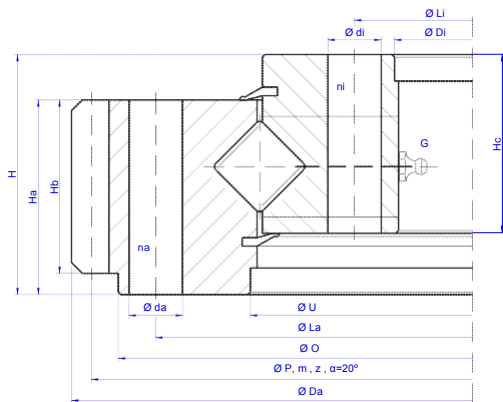
E.2.20-22-25.D



Bearing Type	Dimensions								Fixing holes					Gear teeth			Tooth Force		Mass
	Da mm	O mm	U mm	Di mm	Ha mm	Hb mm	H mm	La mm	na n°	da mm	Li mm	ni n°	di mm	P mm	m	z n°	Fz nor KN	Fz max KN	Weight KG
1 E.504.2.25.00.D.6	504	466	387	300	75	87	95	436	16	17	330	16	17	488	8	61	31	62	67
2 E.608.2.25.10.D.6	608	570	487	382	78	87	95	540	17	17	410	24	17	592	8	74	40	80	92
3 E.712.2.25.12.D.6	712	670	577	470	75	88	98	640	24	17	508	24	20	696	8	87	41	82	119
4 E.1079.2.20.12.D.3.V	1079	-	972	893	70	80	90	1015	30	M16		30	18	1048	8	131	42	84	140
5 E.1080.2.22.00.D.6	1080	1042	970	893	76	83	92	1015	30	17	992	30	17	1064	8	133	32	64	150
6 E.1200.2.25.00.D.1	1200	1163	1079	976	77	88	98	1135	36	19	1012	36	19	1184	8	148	32	64	210
7 E.1476.2.25.00.D.6	1476	1415	1250	1085	89	101	110	1350	48	26	1150	48	26	1440	10	144	77	154	503

G, G1 = For the number and the position of the grease nipples, please ask for a detailed drawing of the bearing Ask for a detailed drawing of the bearing, values may differ.

E.18-25.D-R



Bearing Type	Dimensions								Fixing holes					Gear teeth			Tooth Force		Mass	
	Da mm	O mm	U mm	Di mm	Ha mm	Hb mm	Hc mm	H mm	La mm	na	da mm	Li mm	ni n	di mm	P mm	m	z n	Fz nor KN	Fz max KN	Weight KG
1 E.403.18.15.D.1-RV	403,5	379	313	235	45	37	47	55	358	24	13	259	28-1	13	396	4,	88	16,5	23,8	25
2 E.595.25.15.D.1-RV	595	565	480	382	70	60	70	85	540	24	17	410	24	17	585	5	117	10,4	20,8	76
3 E.695.25.15.D.1-RV	695	670	577	470	70	60	70	85	640	36	20	508	36-1	20	680	5	136	14,4	28,8	97
4 E.816.25.15.D.1-RV	816	781	682	574	73	65	70	90	753	18	22	604	18	22	792	6	132	40	57	118
5 E.1204.25.15.D.3-RV	1204	1158	1083,5	975	88	78	80	98	1130	36	M20	1012	36	21	1180	10	118	86	123	218

G = For the number and the position of the grease nipples, please ask for a detailed drawing of the bearing Ask for a detailed drawing of the bearing, values may