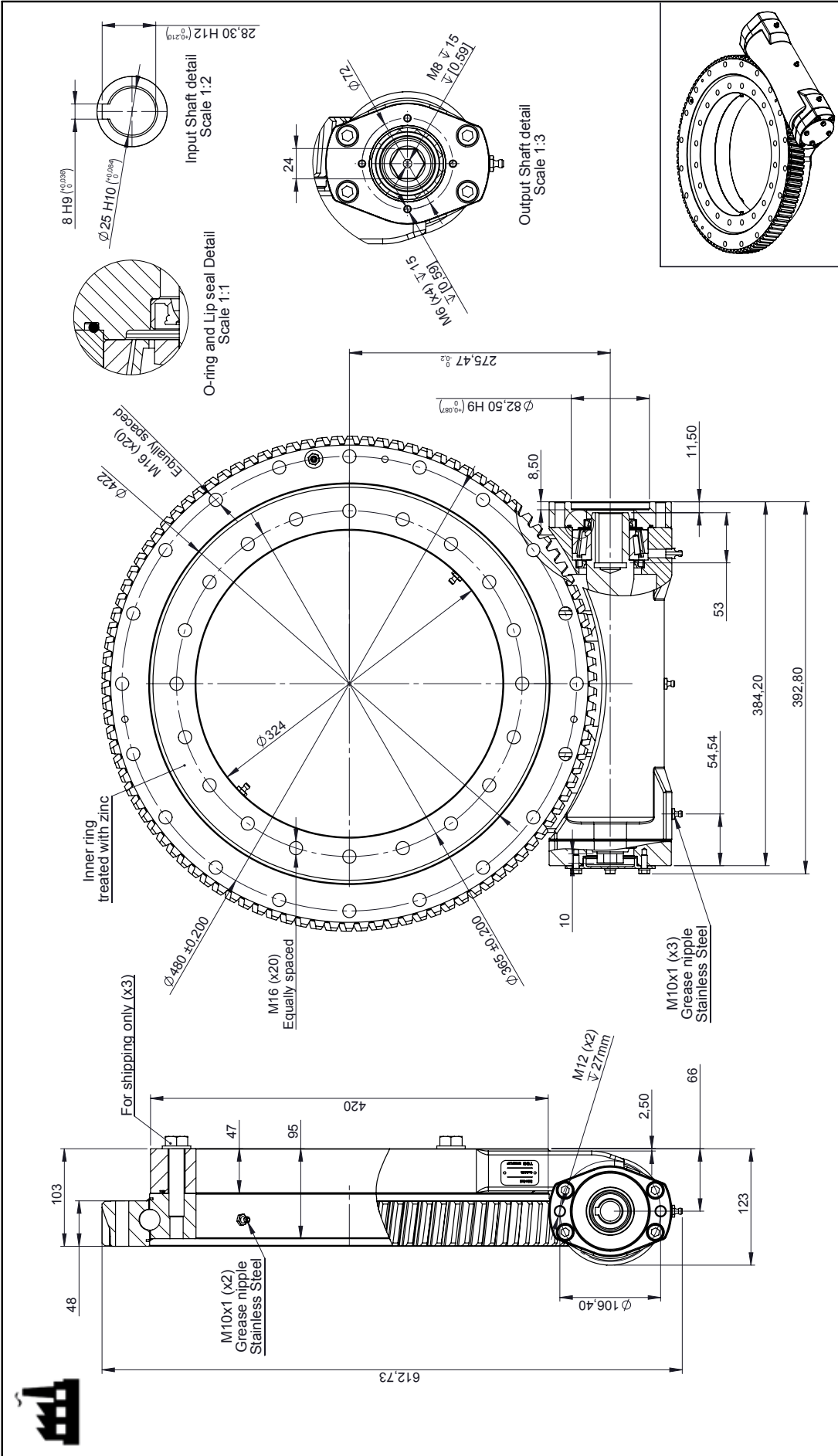


TGO SERIES

METRIC



TGB GROUP
NRS@TGBgroup.us
www.TGBgroup.us

Rev
A

Reference TGO523-Z0-RM

Denomination Sales Drawing

MATERIAL: WEIGHT [kg]: 78.63 NUM. PIECES: 1

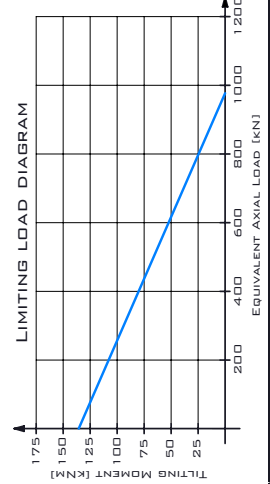
SCALE: SIZE: SHEET: 1 of 1

Units: mm

SHAFT: $\phi 25\text{mm}$ KEYED SHAFT

FLANGE: SAE - 2BOLT FLANGE

This information is for the customer's reference only. TGBgroup is not responsible for any errors or omissions. Copy with the original number under control. TGBgroup reserves the right to change the product without previous notice and without any compensation.



MAIN PERFORMANCE PARAMETERS	
GEAR RATIO	102:1
HOLDING TORQUE	65,1 kNm
EFFICIENCY	40%
TILTING MOMENT	135,6 kNm
SELF-LOCKING GEAR	YES
RADIAL STATIC LOAD	391 kN
AXIAL STATIC LOAD	977 kN
BADKLASH CLEARANCE	< 0,15°
RADIAL DYNAMIC LOAD	205 kN
AXIAL DYNAMIC LOAD	235 kN
MAXIMUM TORQUE	18,034 Nm
NOMINAL TORQUE	15,096 Nm

NOTES: ALL NEW DRIVE ARE PRE-LUBRICATED. MAXIMUM OUTPUT SPEED 1000 RPM.