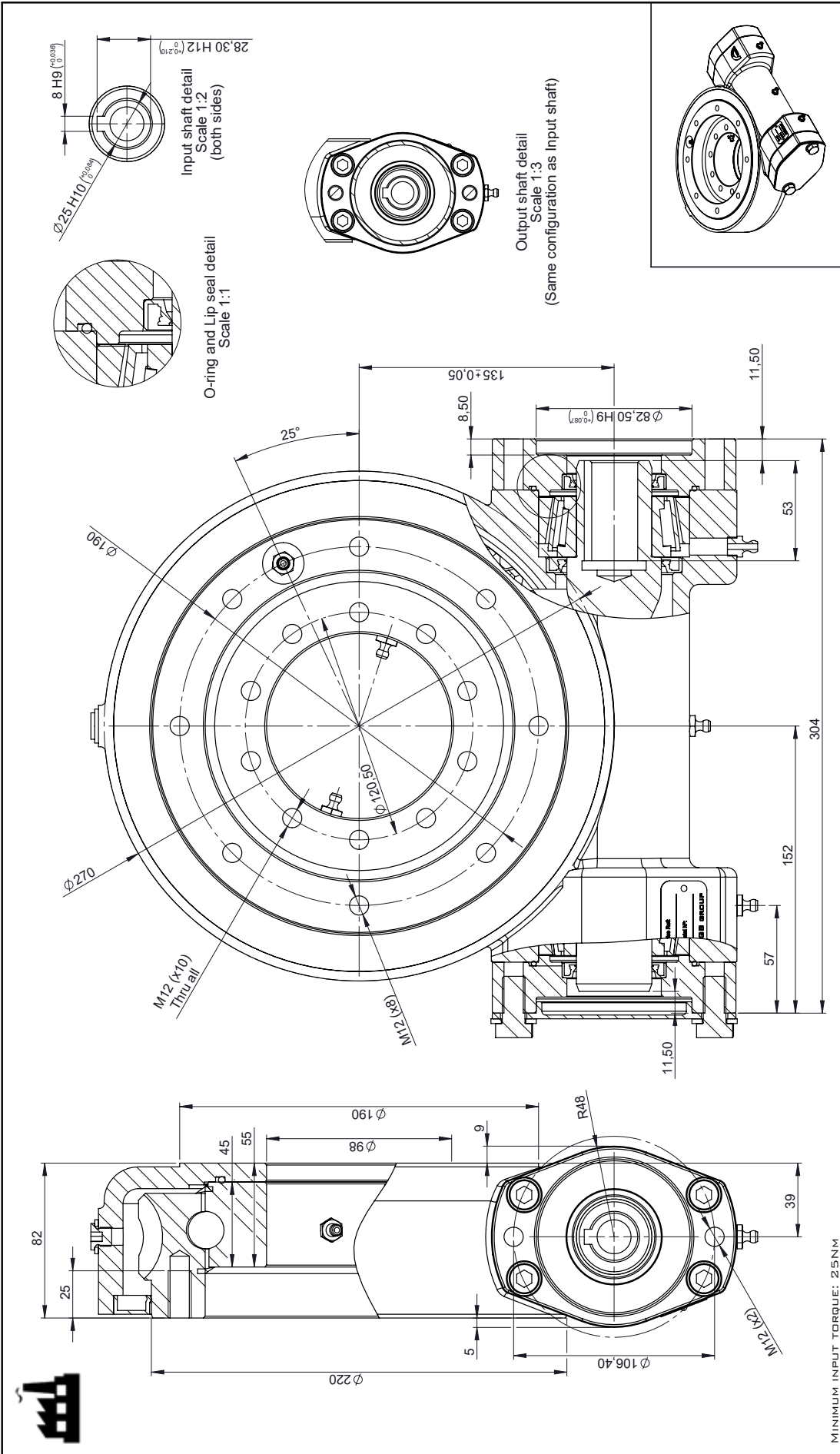


BE SERIES

METRIC

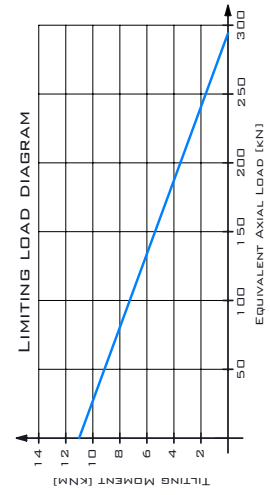


Reference	BE236-Z1
Denomination	Sales Drawing
MATERIAL	WEIGHT (kg): 30.33
SCALE:	1:2 SIZE: A3
NUM. PIECES:	1
SHEET:	1 of 1

Units: mm

SHAFT: $\phi 25$ MM KEYS SHAFT
FLANGE: SAE - 2 BOLT FLANGE

The information contained in this document is the property of TG B GROUP. It is not to be reproduced, stored in a retrieval system, or used in any way without the prior written consent of TG B GROUP. TG B GROUP reserves the right to change specifications without previous notice and duty of communication.



MINIMUM INPUT TORQUE: 25NM

MAIN PERFORMANCE PARAMETERS	
GEAR RATIO	44:1
HOLDING TORQUE	25kNm
EFFICIENCY	40%
TILTING MOMENT	11,2kNm
SELF-LOCKING GEAR	YES
RADIAL STATIC LOAD	94kN
AXIAL STATIC LOAD	290kN
RADIAL DYNAMIC LOAD	83kN
AXIAL DYNAMIC LOAD	97kN
BACKLASH CLEARANCE	< 0,15°
MAXIMUM TORQUE	6.500NM
NOMINAL TORQUE	3.380NM
NOTES:	ALL BEW DRIVE ARE PRE-LUBRICATED. MAXIMUM OUTPUT SPEED 18RPM. STANDARD PAINT: FOR CORROSION CATEGORY C3-M - COLOR RAL 9005