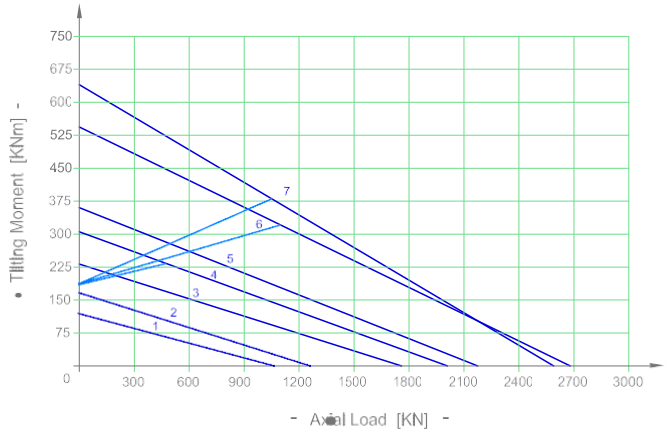
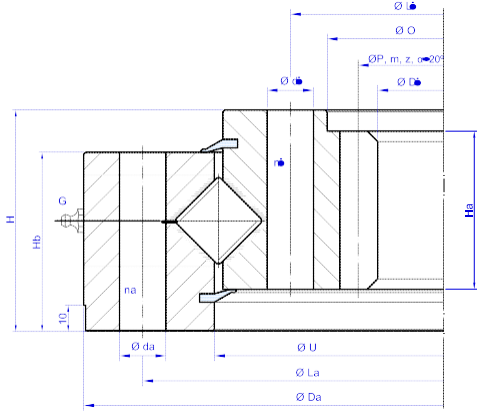


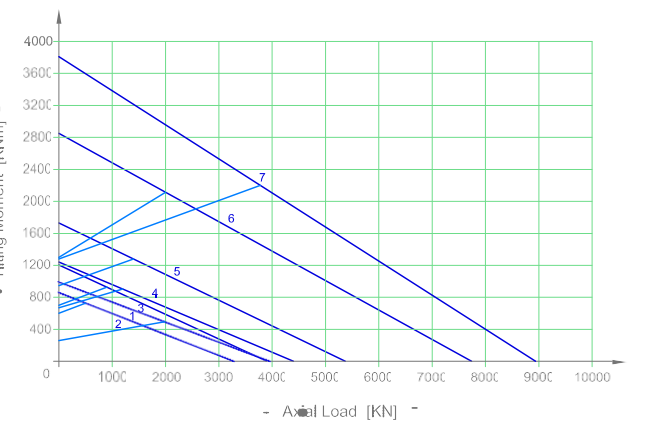
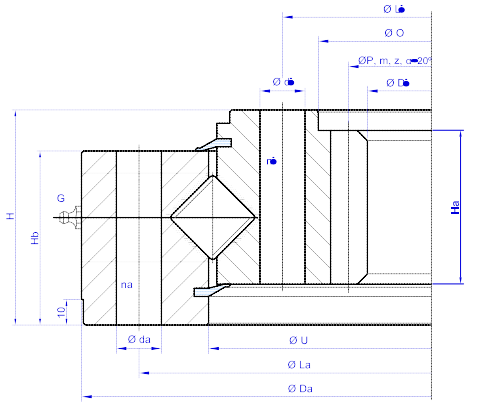
I.18-25.D-R



Bearing Type	Dimensions							Fixing holes					Gear teeth			Tooth Force		Mass	
	Da mm	U mm	O mm	Di mm	Ha mm	Hb mm	H mm	La mm	na n°	da mm	Li mm	ni n°	di mm	P mm	m	z n°	Fz nor KN	Fz max KN	Weight KG
1 I.562.18.15.D.1-RV	562	490	418	384,6	45	50	60	538	30	14	440	30	14	396	6	66	15,2	30,4	44
2 I.665.18.15.D.1-RV	665	577,5	485	457	45	50	60	630	28	18	517	28	18	462	6	77	23,4	46,8	62
3 I.695.25.15.D.1-RV	695	578,5	472	446	53	69	85	640	30	21	508	30	21	456	6	76	24,8	49,6	83
4 I.750.25.15.D.3-RV	750	665,5	-	546	70	66	82	720	20	17	605	20	M16	558	6	93	18,7	37,4	98
5 I.815.25.15.D.1-RV	815	723,5	630	593	60	68	80	780	30	18	660	30	18	608	8	76	31,3	62,6	110
6 I.976.25.15.D.5-RV	976	888	820	786	63	66	82	944	36	M16	850	36	M16	800	8	100	40	56	124
7 I.1165.25.12.D.3-RV	1175	1077,5	1010	961	62	75	90	1134	36	18	1040	36	M16	980	10	98	45	60	155

G = For the number and the position of the grease nipples, please ask for a detailed drawing of the bearing Ask for a detailed drawing of the bearing, values may differ.

I.30-40-50.D-R



Bearing Type	Dimensions							Fixing holes					Gear teeth			Tooth Force		Mass	
	Da mm	U mm	O mm	Di mm	Ha mm	Hb mm	H mm	La mm	na n°	da mm	Li mm	ni n°	di mm	P mm	m	z n°	Fz nor KN	Fz max KN	Weight KG
1 I.1200.30.15.D.3-RV	1200	1092	1010	963,5	90	85	108	1160	36	22	1040	36	M20	980	10	98	58,6	117,2	248
2 I.1251.30.12.D.1-RV	1251	1142	-	979	75	75	91	1212	40	22	1068	36	22	990	10	99	58	116	240
3 I.1346.30.15.D.1-RV	1346	1222	1115	1067	75	85	105	1290	36	22	1150	42	22	1080	10	108	58	116	300
4 I.1460.30.12.D.1-RV	1460	1350	1230	1173	80	84	102	1425	36	22	1270	36	22	1176	12	98	74	148	365
5 I.1530.40.12.D.1-RV	1530	1410	1240	1186	90	107	130	1480	36	26	1290	36	26	1200	10	120	70	140	560
6 I.1790.50.10.D.1-RV	1790	1614	1440	1375	110	125	150	1725	48	31	1500	48	31	1400	14	100	120	240	845
7 I.2025.45.15.D.1-RV	2025	1863	1695	1619	115	118	140	1970	36	30	1780	36	30	1616	16	101	135	270	960

G = For the number and the position of the grease nipples, please ask for a detailed drawing of the bearing Ask for a detailed drawing of the bearing, values may differ.