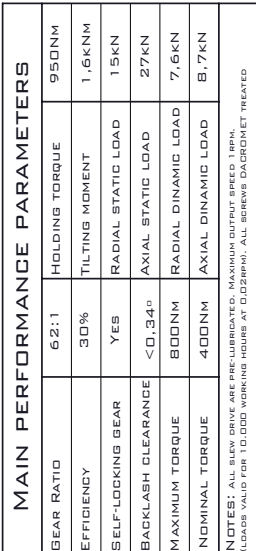


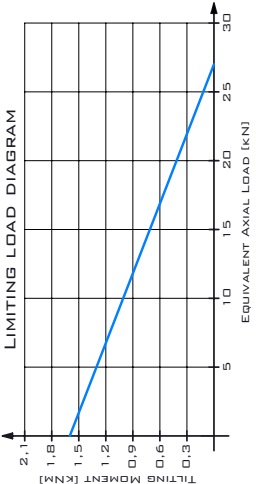
BE SERIES

METRIC



MAIN PERFORMANCE PARAMETERS	
GEAR RATIO	62:1
HOLDING TORQUE	950NM
EFFICIENCY	30%
TILTING MOMENT	1,6KNM
SELF-LOCKING GEAR	YES
RADIAL STATIC LOAD	15KN
AXIAL STATIC LOAD	27KN
BACKLASH CLEARANCE	<0.34°
RADIAL DYNAMIC LOAD	7,6KN
AXIAL DYNAMIC LOAD	8,7KN


NOTES: ALL BEARING SURFACES ARE UNLUBRICATED. MAXIMUM SURFACE SPEED: 10MM/S. LOADS VALID FOR 10,000 WORKING HOURS AT 0.025RPM. ALL SCREWS DACTROMET TREATED.



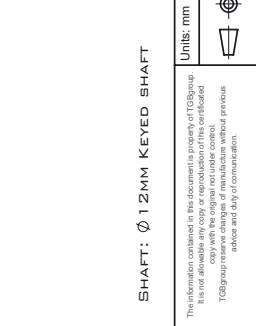
LIMITING LOAD DIAGRAM

Y-axis: TILTING MOMENT [KNM] (0.3 to 2.1)
X-axis: EQUIVALENT AXIAL LOAD [KN] (5 to 30)

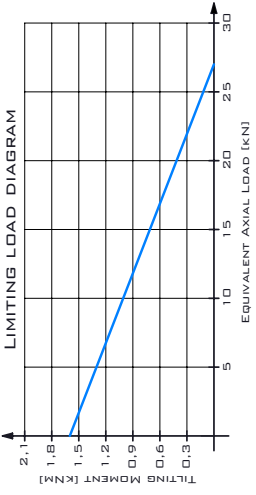
The diagram shows a linear relationship between tilting moment and axial load, starting at approximately (5, 1.1) and ending at (30, 2.0).



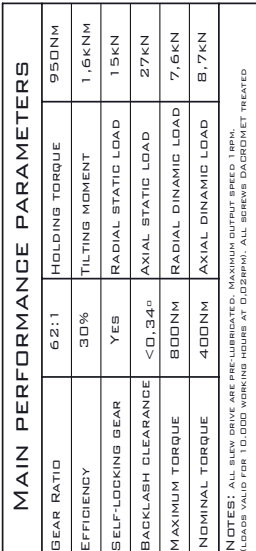
Reference	
>1200	±1.2
>400.0 - 1200	±0.8
>120.0 - 400.0	±0.5
>30.0 - 120.0	±0.3
>6.0 - 30.0	±0.2
>3.0 - 6.0	±0.1
>0.3 - 3.0	±0.1
Range of sizes	Unilateral tolerance




Denomination	Units: mm
SALES DRAWING	10.28
WEIGHT [kg]	-
NUM. PIECES:	1
SCALE:	1 of 1



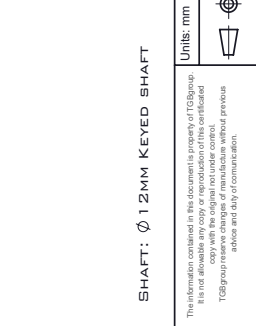
Reference	
>1200	±1.2
>400.0 - 1200	±0.8
>120.0 - 400.0	±0.5
>30.0 - 120.0	±0.3
>6.0 - 30.0	±0.2
>3.0 - 6.0	±0.1
>0.3 - 3.0	±0.1
Range of sizes	Unilateral tolerance



Denomination	Units: mm
SALES DRAWING	10.28
WEIGHT [kg]	-
NUM. PIECES:	1
SCALE:	1 of 1



Reference	
>1200	±1.2
>400.0 - 1200	±0.8
>120.0 - 400.0	±0.5
>30.0 - 120.0	±0.3
>6.0 - 30.0	±0.2
>3.0 - 6.0	±0.1
>0.3 - 3.0	±0.1
Range of sizes	Unilateral tolerance



Denomination	Units: mm
SALES DRAWING	10.28
WEIGHT [kg]	-
NUM. PIECES:	1
SCALE:	1 of 1



Reference	
>1200	±1.2
>400.0 - 1200	±0.8
>120.0 - 400.0	±0.5
>30.0 - 120.0	±0.3
>6.0 - 30.0	±0.2
>3.0 - 6.0	±0.1
>0.3 - 3.0	±0.1
Range of sizes	Unilateral tolerance



Denomination	Units: mm
SALES DRAWING	10.28
WEIGHT [kg]	-
NUM. PIECES:	1
SCALE:	1 of 1



Reference	
>1200	±1.2
>400.0 - 1200	±0.8
>120.0 - 400.0	±0.5
>30.0 - 120.0	±0.3
>6.0 - 30.0	±0.2
>3.0 - 6.0	±0.1
>0.3 - 3.0	±0.1
Range of sizes	Unilateral tolerance



Denomination	Units: mm
SALES DRAWING	10.28
WEIGHT [kg]	-
NUM. PIECES:	1
SCALE:	1 of 1



Reference	
>1200	±1.2
>400.0 - 1200	±0.8
>120.0 - 400.0	±0.5
>30.0 - 120.0	±0.3
>6.0 - 30.0	±0.2
>3.0 - 6.0	±0.1
>0.3 - 3.0	±0.1
Range of sizes	Unilateral tolerance



Denomination	Units: mm
SALES DRAWING	10.28
WEIGHT [kg]	-
NUM. PIECES:	1
SCALE:	1 of 1



Reference	
>1200	±1.2
>400.0 - 1200	±0.8
>120.0 - 400.0	±0.5
>30.0 - 120.0	±0.3
>6.0 - 30.0	±0.2
>3.0 - 6.0	±0.1
>0.3 - 3.0	±0.1
Range of sizes	Unilateral tolerance



Denomination	Units: mm
SALES DRAWING	10.28
WEIGHT [kg]	-
NUM. PIECES:	1
SCALE:	1 of 1



Reference	
>1200	±1.2
>400.0 - 1200	±0.8
>120.0 - 400.0	±0.5
>30.0 - 120.0	±0.3
>6.0 - 30.0	±0.2
>3.0 - 6.0	±0.1
>0.3 - 3.0	±0.1
Range of sizes	Unilateral tolerance



Denomination	Units: mm
SALES DRAWING	10.28
WEIGHT [kg]	-
NUM. PIECES:	1
SCALE:	1 of 1



Reference	
>1200	±1.2
>400.0 - 1200	±0.8
>120.0 - 400.0	±0.5
>30.0 - 120.0	±0.3
>6.0 - 30.0	±0.2
>3.0 - 6.0	±0.1
>0.3 - 3.0	±0.1
Range of sizes	Unilateral tolerance



Denomination	Units: mm
SALES DRAWING	10.28
WEIGHT [kg]	-
NUM. PIECES:	1
SCALE:	1 of 1



Reference	
>1200	±1.2
>400.0 - 1200	±0.8
>120.0 - 400.0	±0.5
>30.0 - 120.0	±0.3
>6.0 - 30.0	±0.2
>3.0 - 6.0	±0.1
>0.3 - 3.0	±0.1
Range of sizes	Unilateral tolerance



Denomination	Units: mm
SALES DRAWING	10.28
WEIGHT [kg]	-
NUM. PIECES:	1
SCALE:	1 of 1



Reference	
>1200	±1.2
>400.0 - 1200	±0.8
>120.0 - 400.0	±0.5
>30.0 - 120.0	±0.3
>6.0 - 30.0	±0.2
>3.0 - 6.0	±0.1
>0.3 - 3.0	±0.1
Range of sizes	Unilateral tolerance



Denomination	Units: mm
SALES DRAWING	10.28
WEIGHT [kg]	-
NUM. PIECES:	1
SCALE:	1 of 1



Reference	
>1200	±1.2
>400.0 - 1200	±0.8
>120.0 - 400.0	±0.5
>30.0 - 120.0	±0.3
>6.0 - 30.0	±0.2
>3.0 - 6.0	±0.1
>0.3 - 3.0	±0.1
Range of sizes	Unilateral tolerance



Denomination	Units: mm
SALES DRAWING	10.28
WEIGHT [kg]	-
NUM. PIECES:	1
SCALE:	1 of 1



Reference	
>1200	±1.2
>400.0 - 1200	±0.8
>120.0 - 400.0	±0.5
>30.0 - 120.0	±0.3
>6.0 - 30.0	±0.2
>3.0 - 6.0	±0.1
>0.3 - 3.0	±0.1
Range of sizes	Unilateral tolerance



Denomination	Units: mm
SALES DRAWING	10.28
WEIGHT [kg]	-
NUM. PIECES:	1
SCALE:	1 of 1



Reference	
>1200	±1.2
>400.0 - 1200	±0.8
>120.0 - 400.0	±0.5
>30.0 - 120.0	±0.3
>6.0 - 30.0	±0.2
>3.0 - 6.0	±0.1
>0.3 - 3.0	±0.1
Range of sizes	Unilateral tolerance



Denomination	Units: mm
SALES DRAWING	10.28
WEIGHT [kg]	-
NUM. PIECES:	1
SCALE:	1 of 1



Reference	
>1200	±1.2
>400.0 - 1200	±0.8
>120.0 - 400.0	±0.5
>30.0 - 120.0	±0.3
>6.0 - 30.0	±0.2
>3.0 - 6.0	±0.1
>0.3 - 3.0	±0.1
Range of sizes	Unilateral tolerance



Denomination	Units: mm
SALES DRAWING	10.28
WEIGHT [kg]	-
NUM. PIECES:	1
SCALE:	1 of 1



Reference	
>1200	±1.2
>400.0 - 1200	±0.8
>120.0 - 400.0	±0.5
>30.0 - 120.0	±0.3
>6.0 - 30.0	±0.2
>3.0 - 6.0	±0.1
>0.3 - 3.0	±0.1
Range of sizes	Unilateral tolerance



Denomination	Units: mm
SALES DRAWING	10.28
WEIGHT [kg]	-
NUM. PIECES:	1
SCALE:	1 of 1



Reference	
>1200	±1.2
>400.0 - 1200	±0.8
>120.0 - 400.0	±0.5
>30.0 - 120.0	±0.3
>6.0 - 30.0	±0.2
>3.0 - 6.0	±0.1
>0.3 - 3.0	±0.1
Range of sizes	Unilateral tolerance



Denomination	Units: mm
SALES DRAWING	10.28
WEIGHT [kg]	-
NUM. PIECES:	1
SCALE:	1 of 1



Reference	
>1200	±1.2
>400.0 - 1200	±0.8
>120.0 - 400.0	±0.5
>30.0 - 120.0	±0.3
>6.0 - 30.0	±0.2
>3.0 - 6.0	±0.1
>0.3 - 3.0	±0.1
Range of sizes	Unilateral tolerance



Denomination	Units: mm
SALES DRAWING	10.28
WEIGHT [kg]	-
NUM. PIECES:	1
SCALE:	1 of 1



Reference	
>1200	±1.2
>400.0 - 1200	±0.8
>120.0 - 400.0	±0.5
>30.0 - 120.0	±0.3
>6.0 - 30.0	±0.2
>3.0 - 6.0	±0.1
>0.3 - 3.0	±0.1
Range of sizes	Unilateral tolerance



Denomination	Units: mm
SALES DRAWING	10.28
WEIGHT [kg]	-
NUM. PIECES:	1
SCALE:	1 of 1



Reference	
>1200	±1.2
>400.0 - 1200	±0.8
>120.0 - 400.0	±0.5
>30.0 - 120.0	±0.3
>6.0 - 30.0	±0.2
>3.0 - 6.0	±0.1
>0.3 - 3.0	±0.1
Range of sizes	Unilateral tolerance



Denomination	Units: mm
SALES DRAWING	10.28
WEIGHT [kg]	-
NUM. PIECES:	1
SCALE:	1 of 1



Reference	
>1200	±1.2
>400.0 - 1200	±0.8
>120.0 - 400.0	±0.5
>30.0 - 120.0	±0.3
>6.0 - 30.0	±0.2
>3.0 - 6.0	±0.1
>0.3 - 3.0	±0.1
Range of sizes	Unilateral tolerance

