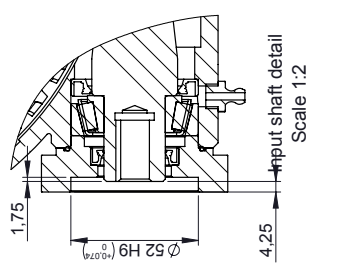
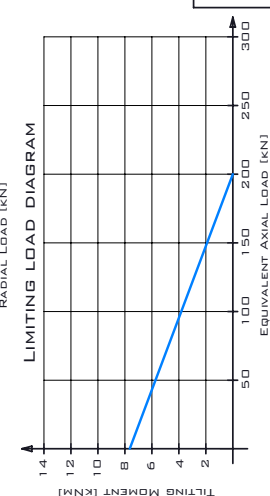
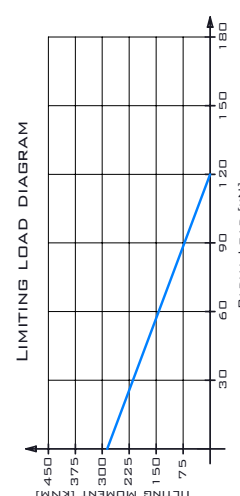
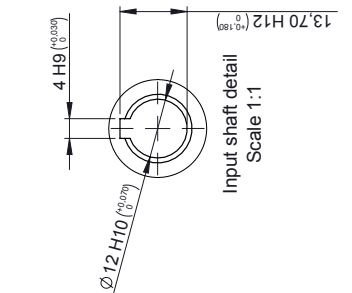
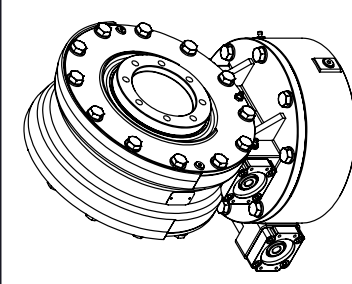
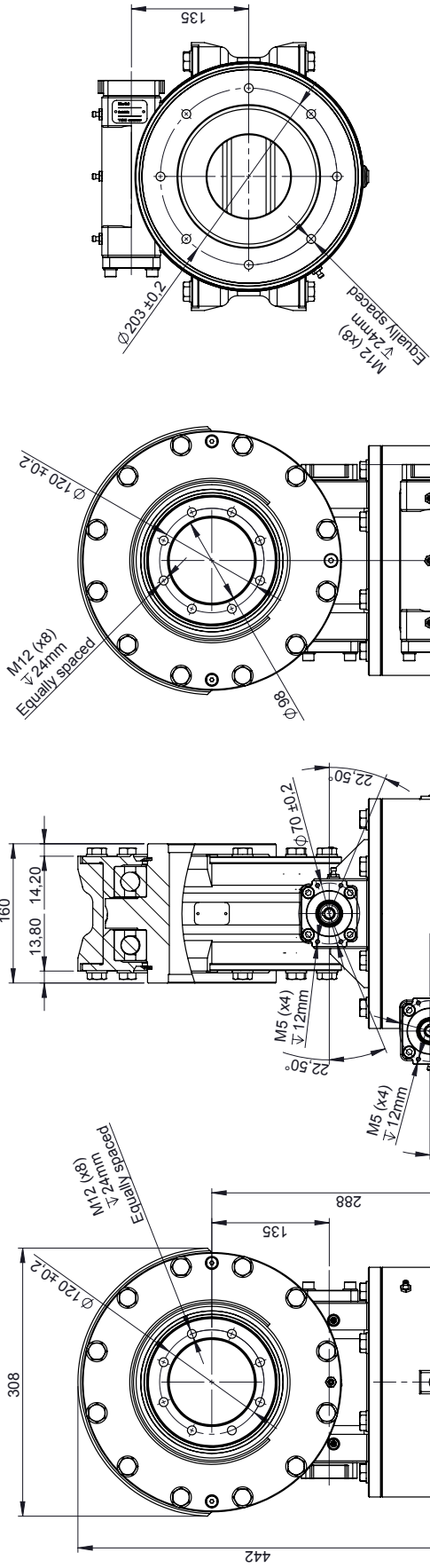


DAD SERIES



MAIN PERFORMANCE PARAMETERS	
GEAR RATIO	46:1
HOLDING TORQUE	10.8kNm
EFFICIENCY	40%
TILTING MOMENT	7.5kNm
SELF-LOCKING GEAR	YES
RADIAL STATIC LOAD	75kN
AXIAL STATIC LOAD	200kN
BACKLASH CLEARANCE	<0.1°
RADIAL DYNAMIC LOAD	77kN
MAXIMUM TORQUE	5.680Nm
AXIAL DYNAMIC LOAD	55kN
NOMINAL TORQUE	2.800Nm

NOTES: ALL BEV DRIVE ARE PRE-LUBRICATED. MAXIMUM OUTPUT SPEED 1800RPM.

Reference	Denomination	Units: mm
DAD5-Z1-LM <td>Sales Drawing <td>mm</td> </td>	Sales Drawing <td>mm</td>	mm
	MATERIAL:	
	SCALE:	
	WEIGHT [kg]:	90.33
	NUM. PIECES:	1
	SIZE:	
	SHEET:	1 of 1

The drawings shall be the subject of copyright (T.B.G.). It is not allowed to copy, reproduce or disseminate the drawings without the express written consent of T.B.G. (T.B.G. Group reserves the right to modify the drawings without previous notice). T.B.G. Group reserves the right to modify the drawings without previous notice.

Reference: DAD5-Z1-LM

Units: mm

SHAFT: Ø 12MM KEYS SHAF

TGB GROUP
 TGB GROUP
 N°30 TGB GROUP, S.S.
 WWW.TGBGROUP.ES

TGB GROUP

Rev: A