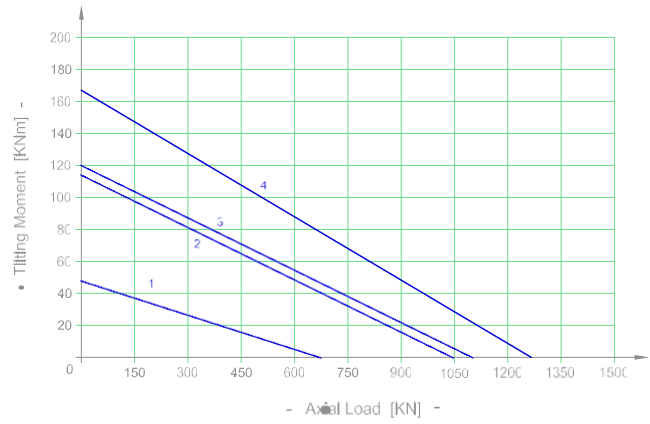
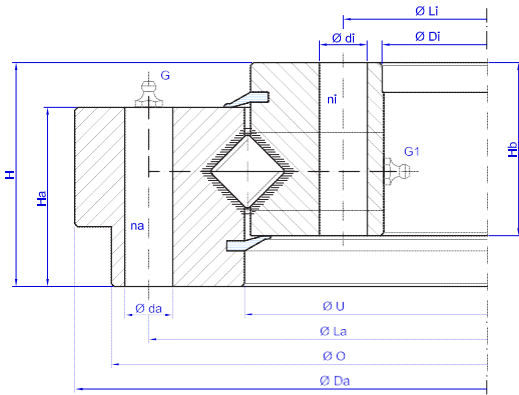


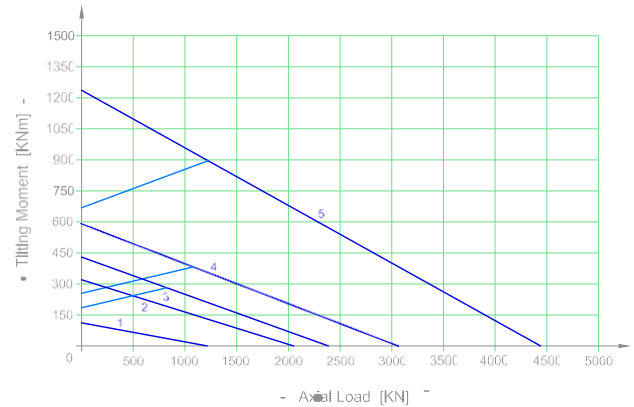
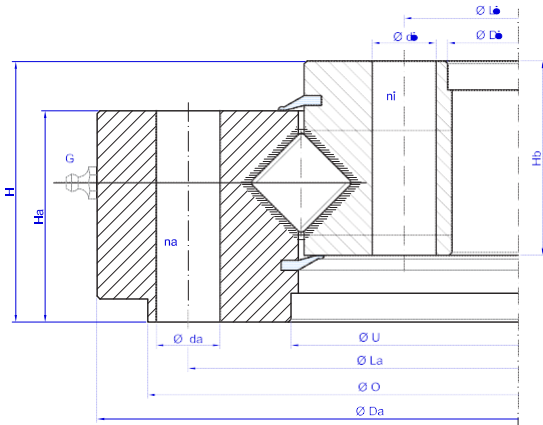
SD.18.D-R



Bearing Type	Dimensions							Fixing holes					Mass	
	Da mm	O mm	U mm	Di mm	Ha mm	Hb mm	H mm	La mm	na n°	da mm	Li mm	ni n°	di mm	Weight KG
1 SD.403.18.15.D.1-R	403,5	380	312	235	45	45	55	358	24	13	259	28-1	13	25
2 SD.562.18.15.D.1-R	562	560	491,5	418	50	50	60	538	30	14	440	30	14	40
3 SD.589.18.15.D.1-R	589,5	565	477,5	385	60	58	75	540	36	16	410	36-1	16	61
4 SD.695.18.15.D.1-R	695	670	577	480	64	57	77	640	36	18	508	36-1	18	80

G = Number and position of grease nipples, ask for a detailed drawing of the bearing Ask for a detailed drawing of the bearing, values may differ.

SD.25-30.D-R



Bearing Type	Dimensions							Fixing holes					Mass	
	Da mm	O mm	U mm	Di mm	Ha mm	Hb mm	H mm	La mm	na n°	da mm	Li mm	ni n°	di mm	Weight KG
1 SD.500.25.15.D.1-R	500	495	403	307	63	63	75	466	30	18	336	30-1	18	52
2 SD.816.25.15.D.1-R	816	781	682	574	73	67	90	753	18	22	604	18	22	133
3 SD.864.25.15.D.3-R	864	833	768	678	73	68	82	802	24	M16	706	24	18	115
4 SD.979.30.15.D.1-R	979	932	845	718	79	82	100	893	36	22	753	36	22	183
5 SD.1345.30.15.D.1-R	1345	-	1223	1115	85	85	108	1290	36	22	1150	42	22	311

G = Number and position of grease nipples, ask for a detailed drawing of the bearing Ask for a detailed drawing of the bearing, values may differ.