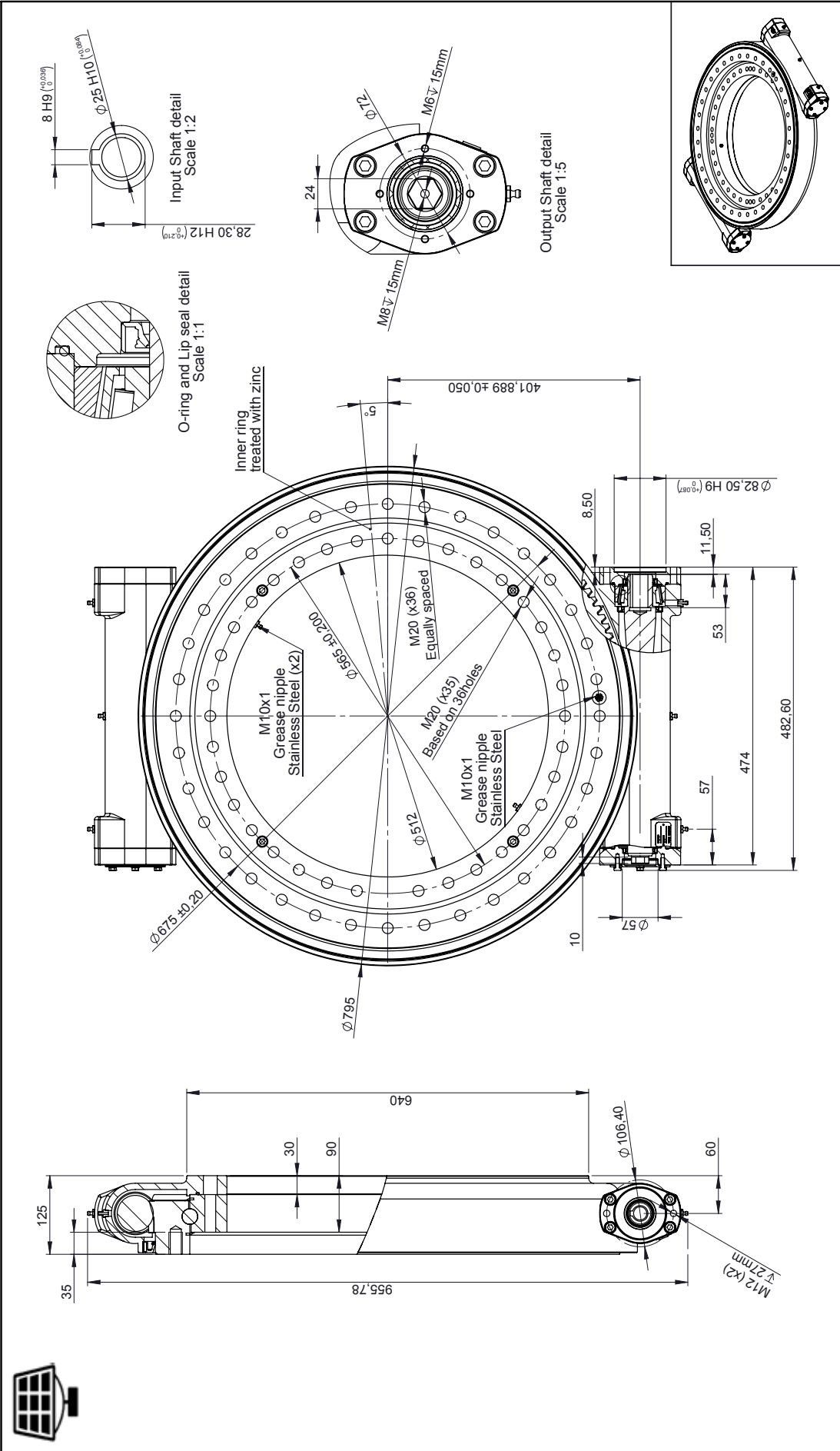


DOUBLE WORM SERIES

METRIC



TBB GROUP
www.tbbgroup.es

Reference: **TE760-2-Z0-RM**

Denomination: Sales Drawing

MATERIAL: -

SCALE: -

Weight [kg]: 208.89

NUM. PIECES: 1

SHEET: 1 of 1

Units: mm

Shaft: 25MM KEYS

Flange: 2-BOLT FLANGE

This information is for reference only. It is not intended as a copy or reproduction of the original design. TBB Group is not responsible for any errors or omissions. All dimensions are in millimeters unless otherwise specified.