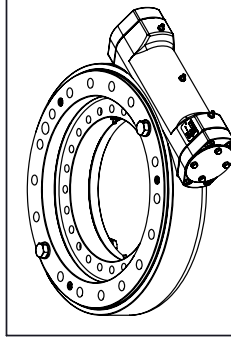
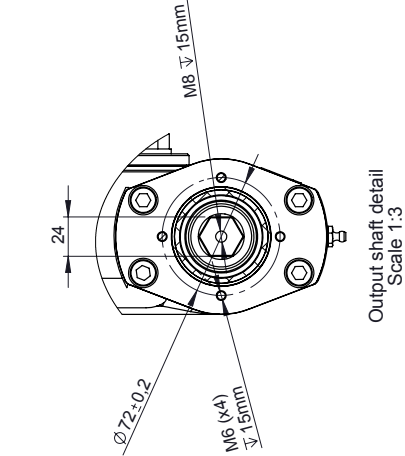
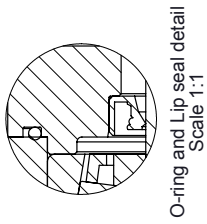
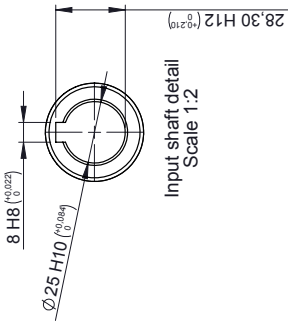


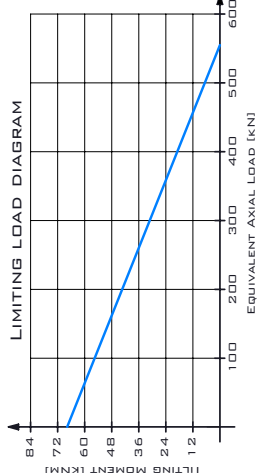
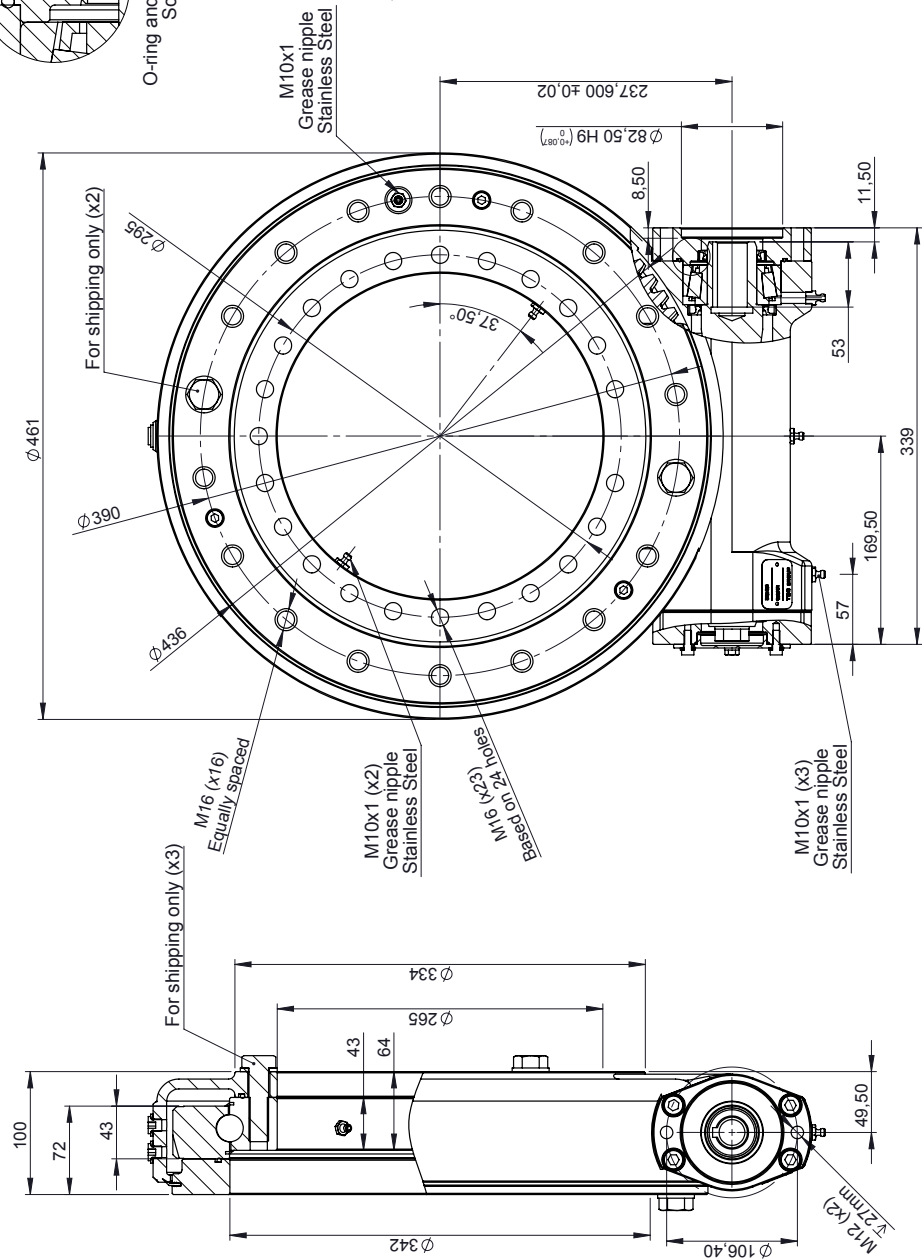
# TGE SERIES

## METRIC



**TGB GROUP**  
TGB GROUP  
www.tgbgroup.es

Reference	TGETN435-Z0-RM	Rev	B
Denomination	Sales Drawing	NUM. PIECES:	1
MATERIAL:	-	WEIGHT (kg):	64.42
SCALE:	1:4	SIZE:	A3
		SHEET:	1 of 1



MAIN PERFORMANCE PARAMETERS	
GEAR RATIO	85:1
HOLDING TORQUE	43.2KNM
EFFICIENCY	40%
TILTING MOMENT	67.8KNM
SELF-LOCKING GEAR	YES
RADIAL STATIC LOAD	222KN
AXIAL STATIC LOAD	555KN
RADIAL DYNAMIC LOAD	117KN
AXIAL DYNAMIC LOAD	133KN

NOTES: ALL BEARINGS ARE PRE-LUBRICATED. MAXIMUM OUTPUT SPEED: 11RPM.  
ALL BEARINGS ARE PRE-LUBRICATED.

SHAFT: Ø25MM KEYS KEYED SHAFT  
FLANGE: SAE - 2BOLT FLANGE

The information contained in this document is property of TGB Group. It is not to be used for any other purpose without the written consent of TGB Group. TGB Group reserves the right to change the specifications without previous notice and any liability.

Units: mm

